



# JR. VERSABEAM™ LUMINAIRE — INDUCTION

## Low Bay, Enclosed

### APPLICATIONS

- For 8 to 16 ft. (2 to 4 meter) mounting heights.
- For applications requiring high efficiency and optimized vertical and horizontal light levels.
- Industrial, commercial and retail low bay applications, including multipurpose commercial, aisle lighting, display shelving, walkways, and parking garages.

### SPECIFICATION FEATURES

- 1598 Listed Suitable For Damp Locations
- 1598 Listed suitable for wet locations depending on mounting configuration ordered
- Listed to Canadian standards and codes
- Sleek, clean housing with teardrop refractor has a low profile and is architecturally appealing
- Available in custom colors for architectural design considerations
- Decorative stripe adds custom color designs to the high quality die cast housing
- Lamp included
- Photometrics provide light levels on vertical and horizontal surfaces
- Advanced refractor technology minimizes glare while maximizing light efficiency
- Mounting options provide flexibility and ease of installation
- Excellent choice for spaces with numerous obstructions
- Sealed optics allow for use in wet locations and dirty environments

### ORDERING NUMBER LOGIC

JVD	17	Q	1	E	4	A5	WH	N	02	Q
PRODUCT IDENT	WATTAGE	LIGHT SOURCE	VOLTAGE	BALLAST TYPE	AMBIENT °C	OPTICAL	HOUSING COLOR	STRIPE COLOR	MOUNTING	OPTIONS
XXX	XX	X	X	X	X	XX	XX	X	X	X
JVS = Jr. Versabeam with standard ceiling mounting	HID 03 = 35 05 = 50 07 = 70 08 = 85 10 = 100 15 = 150 17 = 175 25 = 250	Q = 85 watt QL Induction Lamp/Ballast System	1 = 120 G = 200 277 Volt  50/60Hz AC/DC	E = Electronic Ballast	4 = 40	A5 = Acrylic Type V AA = Acrylic Asymmetrical	Standard WH=White GR=Gray Electro Coat	N = None 1 = White 2 = Black 3 = Red 4 = Blue 5 = Green 6 = Yellow  See NOTE below.	JVS 01 = Ceiling Mount Wet Location JVD 01 = MPM-C Damp Locations 02 = MPM-3PR* Damp Locations 03 = MPM-3PRW* Wet Locations 04 = MPM-3PF Damp Locations 05 = MPM-3PRTFW* wet Locations 06 = MPM-WWV Wet Locations  Note: • See page I-134 for MPM descriptions of JVD mounting adapters. • Mounting adapters included with fixture  JVP 01 = 3/4" Rigid pendant* Wet Locations 04 = 3/4" Flex Pendant (Externally adjustable) Wet Location 15 = Prewire with Loop, Cord and plug part of "Power Hook" Order Receptacle Hook Box Separately. Damp Locations (Not CUL) 31 = Prewire with Hook, 3-ft (0.9 Meters) #16-3 Cord and Nema Plug. Damp Locations  * JVD and JVP require that Flexible Pendant Mounting selection be used if unit is not rigidly mounted otherwise unit may not hang straight.	F = Fusing
JVD = Jr. Versabeam with Sliding Disconnect Mounting										
JVP = Jr. Versabeam with Pendant Mounting										

### INDUCTION LAMP/BALLAST SYSTEM FEATURES:

- 80+CRI
- Lamp/ballast system life is rated 100,00 hours (vs 24,000 for HPS)
- Instant On and Instant Restrike
- 4000K Color Temperature
- 5 year warranty
- Minimum Start -30° F
- Max ambient 55°C

Standard polyester powder paint finish applied over electrostatic anticorrosion underlayer. Gray (GR) offered in e-coat as standard.

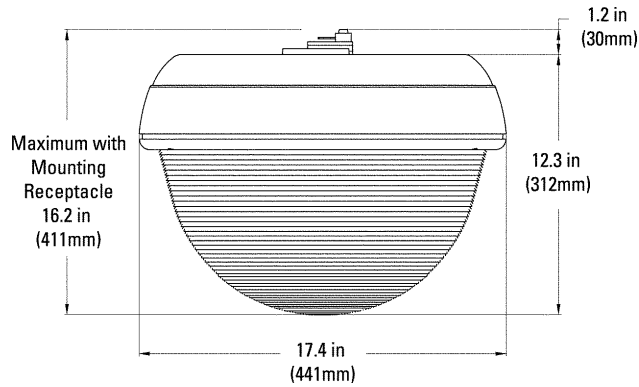
INDOOR LIGHTING

# JR. VERSABEAM™ LUMINAIRE — INDUCTION

Low Bay, Enclosed

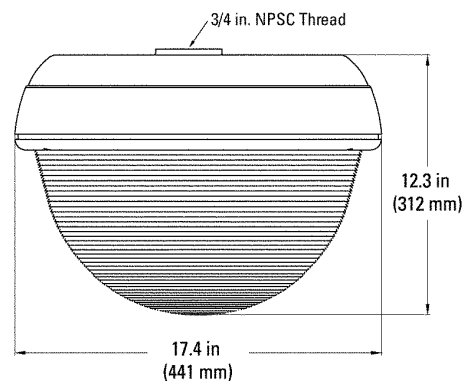
## FIXTURE DIMENSIONS

### JVD Sliding Disconnect Mounting

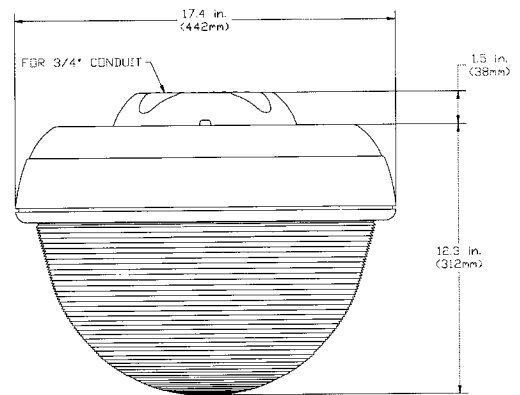


**NOTE:** \*JVD and JVP require that Flexible Pendant Mounting selection be used if unit is not rigidly mounted otherwise unit may not hang straight.

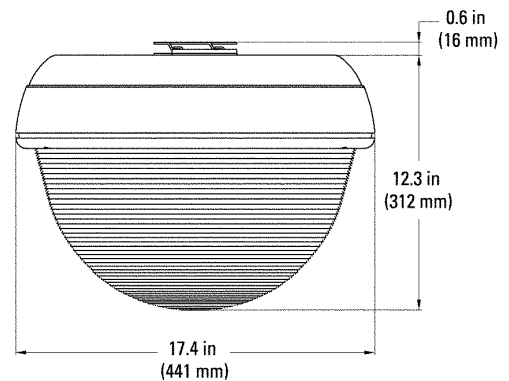
### JVP-1 Pendant Mounting



### JVP-4 Flexible Pendant Mounting



### JVS Surface Mounting



## DATA

Approximate Net Weight	lbs	kgs
Total Fixture	16-20	10-11

## PHOTOMETRIC SELECTION TABLE

All light sources are clear unless otherwise indicated.

A5 & P5 Optical		
Wattage	Light Source	Curve Number
85	QL Induction	453260

AA & PA Optical		
Wattage	Light Source	Curve Number
85	QL Induction	453261

## REFERENCES

See Page I-104 for start of Accessories.

