



JR. VERSABEAM™ LUMINAIRE — HID

Low Bay, Enclosed

APPLICATIONS

- For 8 to 16 ft. (2 to 4 meter) mounting heights.
- For applications requiring high efficiency and optimized vertical and horizontal light levels.
- Industrial, commercial and retail low bay applications, including multipurpose commercial, aisle lighting, display shelving, walkways, and parking garages.

SPECIFICATION FEATURES

- (UL) 1598 Listed **Suitable For Damp Locations**
- (UL) 1598 Listed suitable for wet locations depending on mounting configuration ordered
- (UL) Listed to Canadian standards and codes
- Sleek, clean housing with teardrop refractor has a low profile and is architecturally appealing
- Available in custom colors
- Mounting options provide flexibility and ease of installation
- Sealed optics allow for use in wet locations and dirty environments

- for architectural design considerations
- Decorative stripe adds custom color designs to the high quality die cast housing
- Lamp included: Medium base with HID, Mogul where listed
- Photometrics provide optimum light levels on vertical and horizontal surfaces
- Advanced refractor technology minimizes glare while maximizing light efficiency

- ### ELECTRONIC HID BALLAST
- e-HID ballast provides 15-22% energy savings over magnetic
 - e-HID provides long lamp life and end of life lamp protection

ORDERING NUMBER LOGIC

JVD	17	E	0	A	4	A5	WH	N	02	Q
PRODUCT IDENT	WATTAGE	LIGHT SOURCE	VOLTAGE	BALLAST TYPE	AMBIENT °C	OPTICAL	HOUSING COLOR	STRIPE COLOR	MOUNTING	OPTIONS
XXX	XX	X	X	X	X	XX	XX	X	X	X
JVS = Jr. Versabeam with standard ceiling mounting	HID 03 = 35 05 = 50 07 = 70 10 = 100 15 = 150 (55V)	E = Energy Act Compliant Pulse MH (EPMH) K = Ceramic Metal Halide M = MH S = HPS P = Pulse Start MH Lamp included	60Hz 0 = 120/208/240/277 MULTIVOLT 1 = 120 2 = 208 3 = 240 4 = 277 5 = 480 D = 347 F = 120X347	See Ballast Selection Table A = Autoreg H = HPF K = Hot Restart (Mogul base socket)	4 = 40	A5 = Acrylic Type V Clear Lamp C5 = Acrylic Type V Coated Lamp AA = Acrylic Asymmetrical Clear Lamp L5 = Polycarbonate	Standard WH=White GR= Gray Electro Coat BL= Black RD= Fire Red BU= Vivid Blue GN= Forest Green YE= Yellow (See NOTE below)	N = None 1 = White 2 = Black 3 = Red 4 = Blue 5 = Green 6 = Yellow See NOTE below.	JVS 01 = Ceiling Mount Wet Location JVD 01 = MPM-C Damp Locations 02 = MPM-3PR* Damp Locations 03 = MPM-3PRW* Wet Locations 04 = MPM-3PF Damp Locations 05 = MPM-3PRTFW* wet Locations 06 = MPM-WWV Wet Locations Note: • See page I-134 for MPM descriptions of JVD mounting adapters. • Mounting adapters included with fixture JVP 01 = 3/4" Rigid pendant* Wet Locations 04 = 3/4" Flex Pendant (Externally adjustable) Wet Location 15 = Prewire with Loop, Cord and plug part of "Power Hook" Order Receptacle Hook Box Separately. Damp Locations (Not CUL) 31 = Prewire with Hook, 3-ft (0.9 Meters) #16-3 Cord and Nema Plug. Damp Locations * JVD and JVP require that Flexible Pendant Mounting selection be used if unit is not rigidly mounted otherwise unit may not hang straight.	*B = Time Delay Automatically Switch Quartz *F = Fusing *Q = Non-Time Delay Automatically Switch Quartz Note: See page I-129 for explanation of Options. *Not available with electronic ballast
JVD = Jr. Versabeam with Sliding Disconnect Mounting	17 = 175 25 = 250									
JVP = Jr. Versabeam with Pendant Mounting		Electronic Ballast 07 = 70 10 = 100 15 = 150		E = Electronic						

PHOTOMETRIC SELECTION TABLE

A5 & L5 OPTICAL - Enclosed Acrylic/Polycarbonate Type V Clear Lamp

Wattage	Socket Size	Light Source	Spacing Criteria	Curve Number
70	Medium	PMH	1.4	451618
100	Medium	PMH	1.4	451619
150	Medium	PMH	1.4	451620
175	Medium	EPMH	1.4	451606
250	Mogul	EPMH	1.4	452479
70	Medium	Ceramic MH	1.2	451609
100	Medium	Ceramic MH	1.4	451623
50	Medium	HPS	1.5	451610
70	Medium	HPS	1.4	451611
100	Medium	HPS	1.5	451612
150	Medium	HPS	1.6	451613

C5 OPTICAL - Enclosed Acrylic Type V Coated Lamp

Wattage	Socket Size	Light Source	Spacing Criteria	Curve Number
70	Medium	PMH	1.2	452477
100	Medium	PMH	1.1	452478
175	Medium	EPMH	1.2	451608
250	Mogul	EPMH	1.2	452481

AA & AP OPTICAL - Enclosed Acrylic/Polycarbonate, Asymmetrical, Clear Lamp

Wattage	Socket Size	Light Source	Spacing Criteria	Curve Number
150	Medium	HPS	SS2	452872
175	Medium	EPMH	SN2	452873

Note: C/F = Call Factory

Note: See page T-34 for Alternative lens material explanation

HOUSING COLOR NOTE:

Colors listed above correspond to the following RAL equivalent:

- White = RAL 9016
- Black = RAL 9017
- Fire Red = RAL 3001
- Vivid Blue = RAL 5005
- Forest Green = RAL 6016
- Yellow = RAL 1023

Standard polyester powder paint finish applied over electrostatic anticorrosion underlayer. Gray (GR) offered in e-coat as standard.

INDOOR LIGHTING

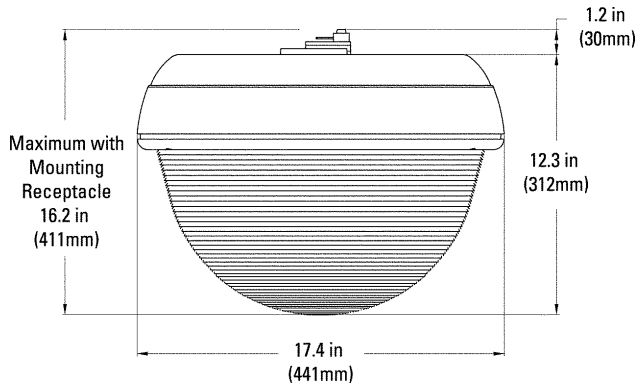


JR. VERSABEAM™ LUMINAIRE — HID

Low Bay, Enclosed

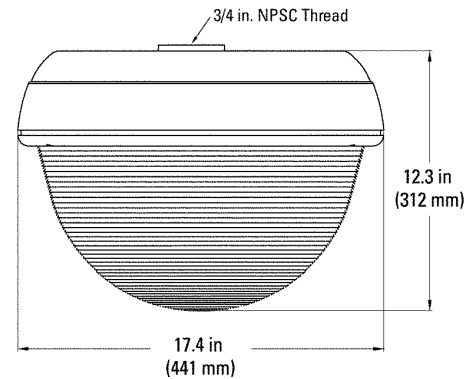
FIXTURE DIMENSIONS

JVD Sliding Disconnect Mounting

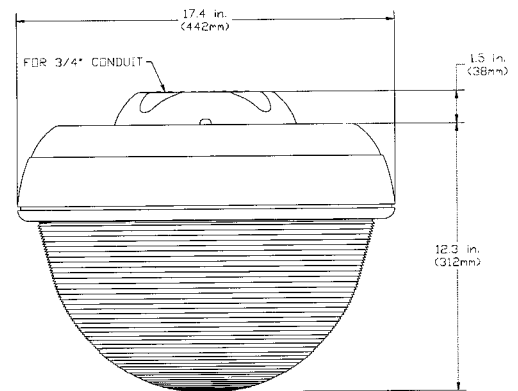


NOTE: *JVD and JVP require that Flexible Pendant Mounting selection be used if unit is not rigidly mounted otherwise unit may not hang straight.

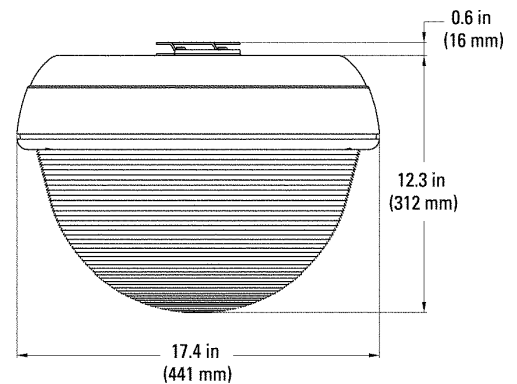
JVP-1 Pendant Mounting



JVP-4 Flexible Pendant Mounting



JVS Surface Mounting



DATA

Approximate Net Weight	lbs	kgs
Total Fixture	16-20	10-11

BALLAST SELECTION TABLE

Wattage	Light Source	Ballast Type and Voltage											
		60 hz								50 hz			
		Multi	120	208	220	240	277	347	480	110	220	230	240
35	HPS	-	H	-	-	-	-	-	-	-	-	-	-
50	HPS	H	H	H	-	H	H	H	-	H	-	H	
70	HPS	A,H,K	A,H,K	A,K	A	A,K	A,K	A	H,A	-	H	H	H
100	HPS	A,H	A,H,K	A	H	A	A	A	A	-	H	H	H
150 (55v)	HPS	A,H,K	A,H,K	A,K	A	A,K	A,K	A	A	-	H	H	H
70	Cer. MH	H	H	H	H	H	H	H	H	H	H	H	H
100	Cer. MH	H	H	H	H	H	H	H	H	H	H	H	H
70	PMH	H	H	H	H	H	H	H	H	H	H	H	H
100	PMH	H	H	H	H	H	H	H	H	H	H	H	H
175	EPMH	A	A	A	A	A	A	A	A	-	-	-	-
250	EPMH	A	A	A	-	A	A	A	A	-	-	-	-
150	PMH	-	H	H	-	H	H	H	-	-	-	-	-
e-HID													
70	PMH	-	E	-	-	-	E	-	-	-	-	-	-
100	PMH	-	E	-	-	-	E	-	-	-	-	-	-
150	Cer	-	E	-	-	-	E	-	-	-	-	-	-
	EPMH												

Ballast Types	Light Sources
A = Auto Reg	HPS = High Pressure Sodium
E = Electronic	CER = Ceramic Metal Halide
H = HPF Reactor or Lag	MH = Metal Halide
K = Hot Restrike	PMH = Pulse Start Metal Halide
	E = EPMH

All HID light sources are clear unless otherwise indicated.

REFERENCES

See Page I-104 for start of Accessories.
See Pages I-129 for Explanation of Options and Other Terms Used.

