



CLB CHARGER™ LUMINAIRE

Low Bay, Enclosed

APPLICATIONS

- For 10 - 25 ft. (3-8 meter) applications in warehouses, assembly plants, material handling, maintenance, manufacturing, inspection and other areas where economical and energy-efficient light sources are important

SPECIFICATION FEATURES

- 1598 Certified for Indoor Locations
- Listed for metal halide lamps in polymeric lamp containment barriers
- Certified for Indoor Locations
- UV Stabilized injection molded prismatic refractor for low brightness
- Heavy-duty steel ballast housing with standard white paint finish
- Optional steel hook for use with eye bolt hanging
- Easy to install, threaded, hanger hub
- Alzak® finish on reflector
- Safety chain provisions
- Mogul base socket -E39 standard
- Shipped as components: Ballast, Optical
- 1 Year Standard warranty
- *Pulse start system for metal halide available. See Page I-131*



ORDERING NUMBER LOGIC

CLB	W	40	S	0	A	EA	NA	12	Q
PRODUCT IDENT	COLOR	WATTAGE	LIGHT SOURCE	VOLTAGE	BALLAST TYPE	OPTICAL CODE	PHOTOMETRY CODE	MOUNTING CODE	OPTIONS
XXX	X	XX	X	X	X	XX	XX	XX	X
CLB = Charger Low Bay Luminaire	W = White	25 = 250 32 = 320 40 = 400	E = Energy Act Compliant Pulse MH (EPMH) S = HPS For International Markets only M = MH P = Pulse Start MH Note: Lamp is vertical base up. Lamp not included.	60Hz 0 = 120/208/240/277 MULTIVOLT 1 = 120 2 = 208 3 = 240 4 = 277 5 = 480 D = 347 F = 120X347 50Hz 6 = 220 R = 230 Y = 240 G = 380	See Ballast Selection Table A = Autoreg	EA = Enclosed Acrylic	NA = Not Applicable	12 = Pendant mounting with Charger hanger hub 15 = Aluminum Loop, Cord and Plug Part of "Power Hook". Order Receptacle/Hook Box Separately. (Not CSA/CUL) 33 = Prewire with Loop, 3-ft (0.9 Meters) #16/3 Cord, and Nema Plug (Order locking receptacle hook box separately.) 36 = Hook - Steel with 3 ft.(0.9 meters) #16/3 Cord and NEMA Plug MODULAR PREWIRE 45 = ACS with 3-ft (0.9 meters) Cord & Steel-Hook 55 = Plug-N-Go with 3-ft (0.9 meters) Cord & Steel-Hook 65 = ACS with 6-ft (1.8 meters) Cord & Steel-Hook 66 = Plug-N-Go with 6-ft (1.8 meters) Cord & Steel-Hook Note: Steel hook for use with steel 1-in. diameter eye bolt. Not for use with LOOPM or LOOPF Note: For flush mount prismatic low bay, see Charger Prismatic offering	F = Fusing Q = Non-Time Delay Automatically Switch Quartz T = E40 / European Socket Y = Solo Bilevel Port (See page I-102)

PHOTOMETRIC SELECTION TABLE

EA OPTICAL - Enclosed Acrylic				
Wattage	Light Source	Ambient °C	Spacing Criteria	Photometric Curve
250	HPS	55	2.1	451919
400	HPS	40	2.0	451918
250, 320*	EPMH	55	1.8	451921
400	EPMH	40	2.1	451920

NOTES

*320 watt, ED28 Pulse Start MH

See explanation on "Optical Flexibility" Page I-5. See References.

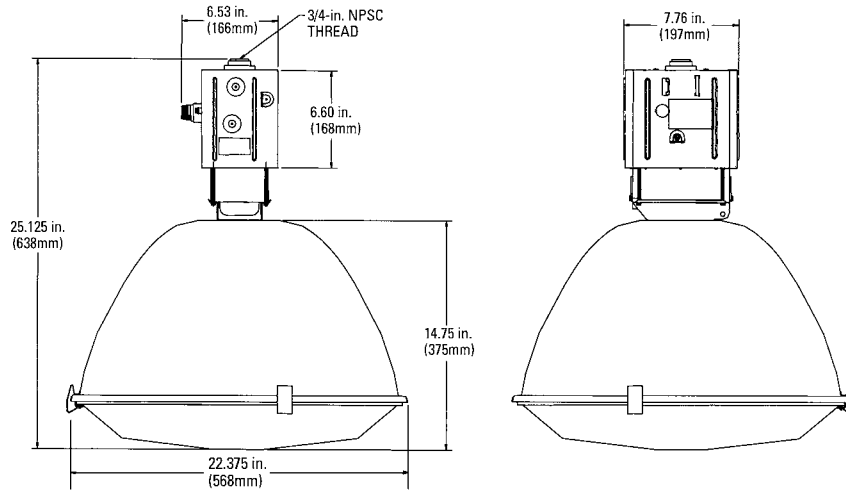
REFERENCES

See Page I-104 for start of Accessories.
See Page I-117 for Component Ordering Logic.
See Page I-129 for Explanation of Options and Other Terms Used.

CLB CHARGER™ LUMINAIRE

Low Bay, Enclosed

FIXTURE DIMENSIONS



DATA

Approximate Net Weight Ballast and Optical	lbs	kgs
	32	14.5

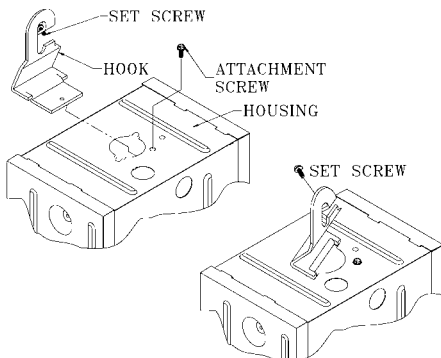
BALLAST SELECTION TABLE

Wattage	Light Source	Ballast Type / Voltage									
		60HZ					50HZ				
		Multivolt	120, 208 240, 277	347	480	120 x 347	220	220	230	240	380
250	HPS	A	A	A	A	A	N/A	N/A	N/A	N/A	N/A
400	HPS	A	A	A	A	N/A	N/A	N/A	N/A	N/A	N/A
250	MH	A	A	A	A	A	C/F	C/F	C/F	C/F	C/F
400	MH	A	A	A	A	A	C/F	C/F	C/F	C/F	C/F
PULSE START METAL HALIDE LIGHT SOURCE											
BALLAST SELECTION TABLE											
250	EPMH	A	A	A	A	A	N/A	N/A	N/A	N/A	N/A
320	EPMH	A	A	C/F	N/A	N/A	N/A	N/A	N/A	N/A	N/A
350	EPMH	A	A	C/F	N/A	N/A	N/A	N/A	N/A	N/A	N/A
400	EPMH	A	A	A	A	A	C/F	C/F	C/F	C/F	C/F

NOTE: N/A = Not Available
C/F = Contact Factory

CANADIAN NOTES:
1. "A", Autoreg available 120, 277 or 347 volts only
2. Multivolt not available.
* Consult Factory for 480 volt

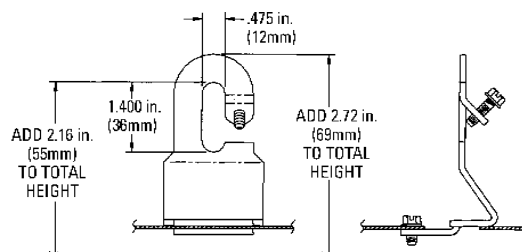
Steel Hook Mounting Option



When steel hook is ordered, it is supplied factory installed in lieu of threaded 3/4" twist-on housing. Cord exits side of ballast housing.

Note: For field installed hook, cord, plug, see accessories.

Steel Hook as referred to in Mounting Code



Steel hook for use with steel 1-in. diameter eye bolt. Not for use with LOOPM or LOOPF

Note: To order as an accessory use catalog number - **HOOKS**.

INDOOR LIGHTING