



CPB CHARGER™ PRISMATIC LUMINAIRE

High Bay/Low Bay, Open or Enclosed

APPLICATIONS

- Commercial and retail areas, assembly lines, inspection areas, production bays, storage and warehouse areas

SPECIFICATION FEATURES

- 1598 Certified for Indoor Locations
- Certified for Indoor Locations
- UV Stabilized acrylic reflector
- Heavy-duty steel ballast housing with standard white paint finish
- Easy to install, threaded, hanger hub
- Optional steel hook for use with eye bolt hanging
- Bracket mount version allows for field adjustable light distribution - flexible spacing criterion (SC)
- Flush mounted version with conical lens for low bay applications
- Safety chain provisions
- Mogul base socket -E39 standard
- Shipped as components: Ballast, Optical.
- 2 Year Standard warranty
- *Pulse start system for metal halide available. See Page I-131*

INDOOR LIGHTING



ORDERING NUMBER LOGIC

CPB	W	40	E	0	A	V2	NA	12	Q
PRODUCT IDENT	COLOR	WATTAGE	LIGHT SOURCE	VOLTAGE	BALLAST TYPE	OPTICAL CODE	PHOTOMETRY CODE	MOUNTING CODE	OPTIONS
XXX	X	XX	X	X	X	XX	XX	XX	X
CPB = Charger Prismatic Luminaire	W = White	25 = 250 32 = 320 35 = 350 40 = 400	E = Energy Act Compliant Pulse MH (EPMH) S = HPS For International Markets only M = MH P = Pulse Start MH Note: Lamp is vertical base up. Lamp not included.	60Hz 0 = 120/208/240/277 MULTIVOLT 1 = 120 2 = 208 3 = 240 4 = 277 5 = 480 D = 347 F = 120X347 50Hz 6 = 220 R = 230 Y = 240 G = 380	See Ballast Selection Table A =Autoreg	V2=Open, ventilated 22-in. bracket-mount Acrylic Prismatic Reflector C2 = 22-in. flush-mount Acrylic Prismatic Reflector with conical lens (included) Note: Do not use open opticals with lamps specified for use in enclosed fixtures only. Note: Lens assemblies available.	NA = Not Applicable	12 = Pendant mounting with Charger hanger hub 15 = Aluminum Loop, Cord and Plug Part of "Power Hook". Order Receptacle/Hook Box Separately. (Not CSA/CUL) 33 = Prewire with Loop, 3-ft (0.9 Meters) #16/3 Cord, and Nema Plug (Order locking receptacle hook box separately.) 36 = Hook - Steel with 3 ft.(0.9 meters) #16/3 Cord and NEMA Plug MODULAR PREWIRE 45 = ACS with 3-ft (0.9 meters) cord & Steel-Hook 55 = Plug-N-Go with 3-ft (0.9 meters) cord & Steel-Hook 65 = ACS with 6-ft (1.8 meters) cord & Steel-Hook 66 = Plug-N-Go with 6-ft (1.8 meters) cord & Steel-Hook Note: Steel hook for use with steel 1-in. diameter eye bolt. Not for use with LOOPM or LOOPF	F = Fusing Q= Non-Time Delay Automatically Switch Quartz S = Exclusionary mogul base socket for MH open fixtures T = E40 / European Socket Y = Solo Bilevel Port (See page I-102)

PHOTOMETRIC SELECTION TABLE

V2 OPTICAL - Open & Ventilated Bracket Mounted 22 in. Reflector MH, requires "S" Option EX39 base socket

Wattage	Light Source	Ambient °C	Spacing Criterion	Socket Position	Photometric Curve
250, 320*	EPMH	55	0.6	HPS-W	452052
250, 320*	EPMH (Coated)	55	0.8	HPS-W	452053
400	EPMH	55	1.0	MH-W	452054
400	EPMH	55	1.4	HPS-W	452056
400	EPMH (Coated)	55	1.0	MH-N	452055
400	EPMH (Coated)	55	1.5	HPS-W	452057
250	HPS	55	0.7	HPS-N	452078
250	HPS	55	0.9	HPS-W	452079
400	HPS	55	0.9	HPS-N	452080
400	HPS	55	1.0	HPS-W	452081

C2 OPTICAL - Flush Mounted 22-in. Reflector with Acrylic Prismatic Conical Lens

Wattage	Light Source	Ambient °C	Spacing Criterion	Reflector Position	Photometric Curve
250, 320*	EPMH (Coated)	55	1.9	Fixed	452075
400	EPMH (Coated)	40	2.3	Fixed	452076

*320 watt is ED Pulse Start MH

Exclusionary base socket is available for use with Metal Halide lamps in open fixtures to comply with NEC 2005 regulations (GELS "S" Option). Customer should consult or review local electrical codes for compliance.

NOTES

See explanation on "Optical Flexibility" Page I-5. See References.

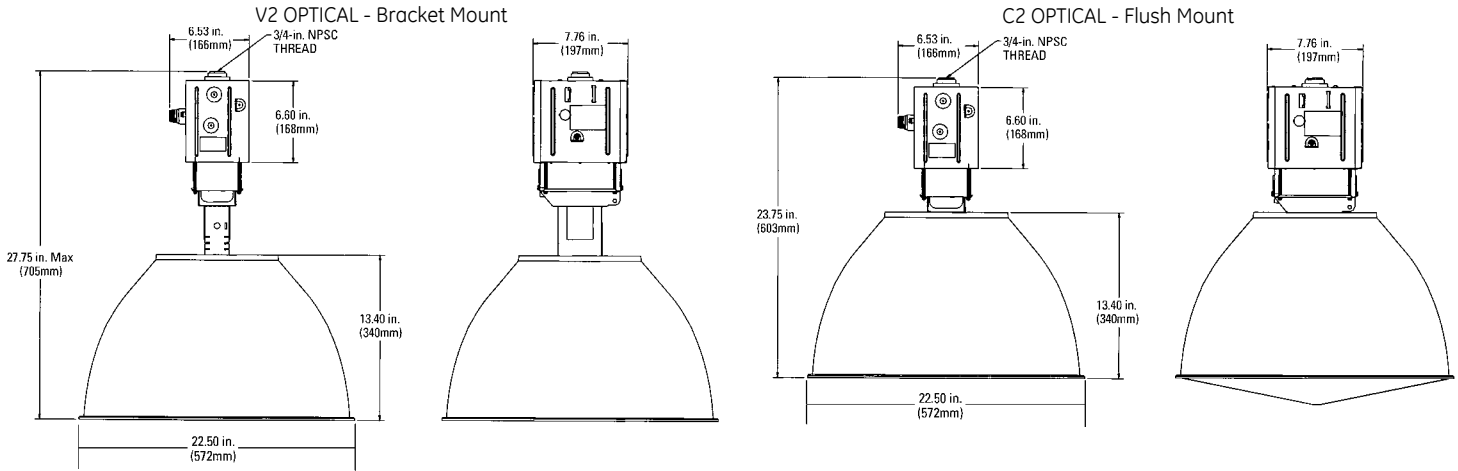
REFERENCES

See Page I-104 for start of Accessories. See Page I-117 for Component Ordering Logic. See Page I-129 for Explanation of Options and Other Terms Used.

CPB CHARGER™ PRISMATIC LUMINAIRE

High Bay/Low Bay, Open or Enclosed

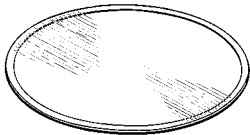
FIXTURE DIMENSIONS



DATA

Approximate Net Weight Ballast and Optical	lbs	kgs
	21-25	9.5-11.5

Door Assemblies (Order Separately)



• **EAL2-GHBP**

Clear acrylic lens for 22-in. (559mm) optical (40°C max. ambient on 400 watt fixtures)

• **EAPL2-GHBP**

Clear acrylic prismatic conical lens for 22-in. (559mm) optical (40°C max. ambient on 400 watt fixtures)

BALLAST SELECTION TABLE

Wattage	Light Source	Ballast Type / Voltage									
		60HZ					50HZ				
		Multivolt	120, 208 240, 277	347	480	120 x 347	220	220	230	240	380
250	HPS	A	A	A	A	A	C/F	C/F	C/F	C/F	C/F
400	HPS	A	A	A	A	A	C/F	C/F	C/F	C/F	C/F
250	MH	A	A	A	A	A	C/F	C/F	C/F	C/F	C/F
400	MH	A	A	A	A	A	C/F	C/F	C/F	C/F	C/F

PULSE START METAL HALIDE LIGHT SOURCE BALLAST SELECTION TABLE

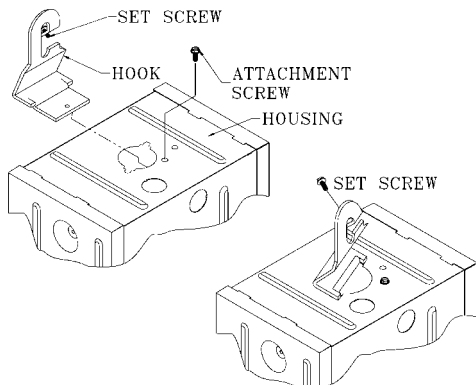
250	EPMH	A	A	A	A	N/A	N/A	N/A	N/A	N/A
320	EPMH	A	A	C/F	N/A	C/F	C/F	C/F	C/F	N/A
350	EPMH	A	A	C/F	N/A	C/F	C/F	C/F	C/F	N/A
400	EPMH	A	A	A	A	C/F	C/F	C/F	C/F	C/F

NOTE: N/A = Not Available
C/F = Contact Factory

CANADIAN NOTES:

- *480 volt, Consult Factory
- 1. "A", Autoreg available 120, 277 or 347 volts only
- 2. Multivolt not available.

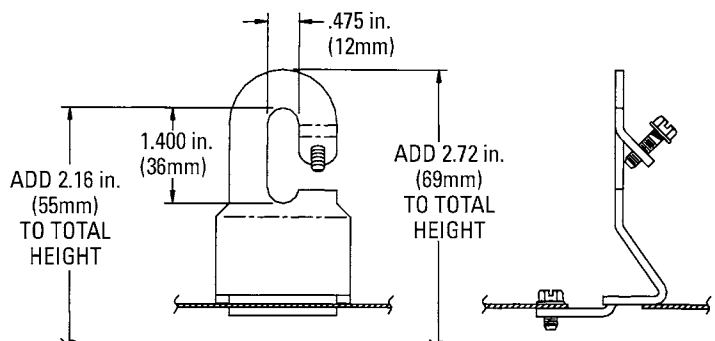
Steel Hook Mounting Option



When steel hook is ordered, it is supplied factory installed in lieu of threaded 3/4" twist-on housing. Cord exits side of ballast housing.

Note: For field installed hook, cord, plug, see accessories.

Steel Hook as referred to in Mounting Code



Steel hook for use with steel 1-in. diameter eye bolt. Not for use with LOOPM or LOOPF

Note: To order as an accessory use catalog number - **HOOKS**.

INDOOR LIGHTING

