



CHB CHARGER™ LUMINAIRE

High Bay, Open/Enclosed

APPLICATIONS

- For over 20 ft. (6 meter) applications in distribution centers, assembly plants, material handling, maintenance, manufacturing, inspection and other areas where economical and energy-efficient lighting are required

SPECIFICATION FEATURES

- 1598 Certified for Indoor Locations
- Certified for Indoor Locations
- Heavy-duty steel ballast housing with standard white paint finish
- Easy to install, threaded, hanger hub
- Formed aluminum reflector with Alzak® finish providing uniform lighting distribution for high bay lighting
- Optional steel hook for use with eye bolt hanging
- Flexible Spacing Criterion (SC) allows field adjustable light distribution
- Safety chain provisions
- Mogul base socket -E39 standard
- Shipped as components: Ballast, Optical.
- Unit pack option available - See Readi-Stock information
- 2 Year Standard warranty
- *Pulse start system for metal halide available. See Page I-131*

INDOOR LIGHTING



ORDERING NUMBER LOGIC

CHB	W	40	E	0	A	V6	NA	12	Q
PRODUCT IDENT	COLOR	WATTAGE	LIGHT SOURCE	VOLTAGE	BALLAST TYPE	OPTICAL CODE	PHOTOMETRY CODE	MOUNTING CODE	OPTIONS
XXX	X	XX	X	X	X	XX	XX	XX	X
CHB = Charger High Bay Luminaire	W = White	25 = 250 32 = 320 40 = 400	E = Energy Act Compliant Pulse MH (EPMH) S = HPS For International Markets only M = MH P = Pulse Start MH Note: Lamp is vertical base up. Lamp not included.	60Hz 0 = 120/208/240/277 MULTIVOLT 1 = 120 2 = 208 3 = 240 4 = 277 5 = 480 D = 347 F = 120X347 50Hz 6 = 220 R = 230 Y = 240 G = 380	See Ballast Selection Table A =Autoreg	V6=Open ventilated 16-in. (406mm) Reflector D6=16-in. (406mm) reflector with door glass kit included Note: Do not use open opticals with lamps specified for use in enclosed fixtures only	NA = Not Applicable	12 = Pendant mounting with Charger hanger hub 15 = Aluminum Loop, Cord and Plug Part of "Power Hook". Order Receptacle/Hook Box Separately. (Not CSA/CUL) 33 = Prewire with Loop, 3-ft (0.9 Meters) #16/3 Cord, and Nema Plug (Order locking receptacle hook box separately.) 36 = Hook - Steel with 3 ft.(0.9 meters) #16/3 Cord and NEMA Plug MODULAR PREWIRE 45 = ACS with 3-ft (0.9 meters) cord & Steel-Hook 55 = Plug-N-Go with 3-ft (0.9 meters) cord & Steel-Hook 65 = ACS with 6-ft (1.8 meters) cord & Steel-Hook 66 = Plug-N-Go with 6-ft (1.8 meters) cord & Steel-Hook Note: Steel hook for use with steel 1-in. diameter eye bolt. Not for use with LOOPM or LOOPF	F = Fusing Q= Non-Time Delay Automatically Switch Quartz S = Exclusionary mogul base socket for MH open fixtures T = E40 / European Socket Y = Solo Bilevel Port (See page I-102)

PHOTOMETRIC SELECTION TABLE

V6 OPTICAL - Open and Ventilated 16 in. Reflector MH, requires "S" Option EX39 base socket					
Wattage	Light Source	Spacing Criteria	Reflector Position	Ambient °C	Photometric Curve
250	HPS	1.7	W	55	451937
400	HPS	1.6	W	55	451930
250	HPS	1.4	N	55	451934
400	HPS	1.3	N	55	451933
250, 320*	EPMH	0.9	W	55	451922
400	EPMH	1.7	W	55	451929
250, 320*	EPMH	0.8	N	55	451925
400	EPMH	1.4	N	55	451926
D6 OPTICAL - 16 in. Reflector with door glass kit					
250	HPS	1.7	W	55	451936
400	HPS	1.6	W	55	451931
250	HPS	1.4	N	55	451935
400	HPS	1.3	N	55	451932
250, 320*	EPMH	0.9	W	55	451923
400	EPMH	1.7	W	55	451928
250, 320*	EPMH	0.8	N	55	451924
400	EPMH	1.4	N	55	451927

*320 watt is ED Pulse Start MH

Exclusionary base socket is available for use with Metal Halide lamps in open fixtures to comply with NEC 2005 regulations (GELS "S" Option). Customer should consult or review local electrical codes for compliance.

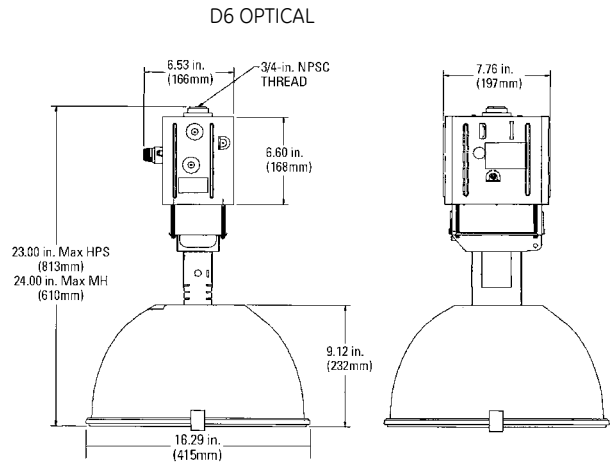
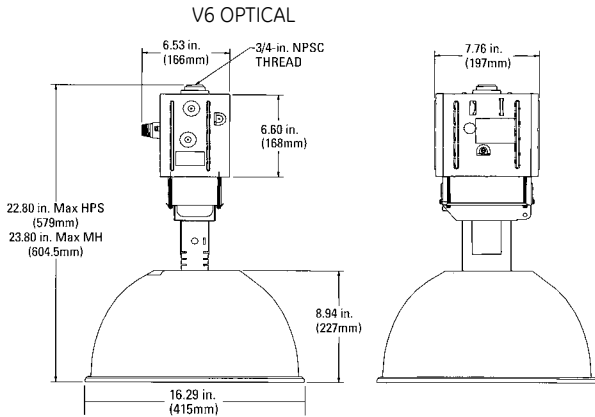
REFERENCES

See Page I-104 for start of Accessories.
See Page I-117 for Component Ordering Logic.
See Page I-129 for Explanation of Options and Other Terms Used.

CHB CHARGER™ LUMINAIRE

High Bay, Open/Enclosed

FIXTURE DIMENSIONS



BALLAST SELECTION TABLE

Wattage	Light Source	Ballast Type / Voltage								
		60HZ				50HZ				
		Multivolt	120, 208 240, 277	347	480	120 x 347	220	230	240	380
250	HPS	A	A	A	A	A	N/A	N/A	N/A	N/A
400	HPS	A	A	A	A	N/A	N/A	N/A	N/A	N/A
250	MH	A	A	A	A	A	C/F	C/F	C/F	C/F
400	MH	A	A	A	A	A	C/F	C/F	C/F	C/F

PULSE START METAL HALIDE LIGHT SOURCE BALLAST SELECTION TABLE

250	EPMH	A	A	A	A	A	N/A	N/A	N/A	N/A
320	EPMH	A	A	C/F	N/A	C/F	C/F	C/F	C/F	N/A
350	EPMH	A	A	C/F	N/A	C/F	C/F	C/F	C/F	N/A
400	EPMH	A	A	A	A	A	C/F	C/F	C/F	C/F

NOTE: N/A = Not Available
C/F = Contact Factory

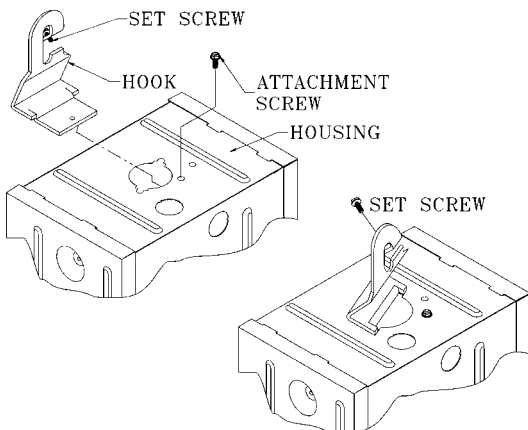
CANADIAN NOTES:

- *480 volt, Consult Factory
- 1. "A", Autoreg available 120, 277 or 347 volts only
- 2. Multivolt not available.

DATA

Approximate Net Weight Ballast and Optical	lbs	kgs
	18-20	8-9

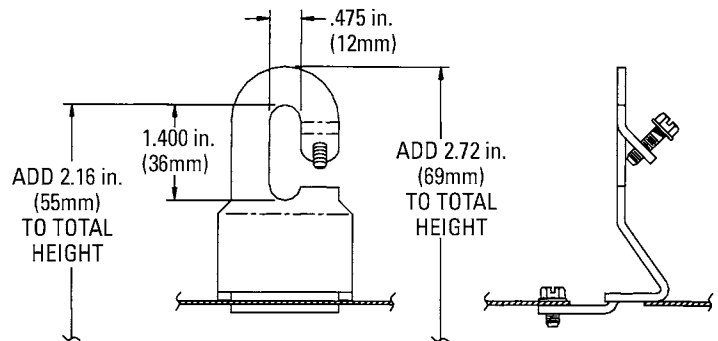
Steel Hook Mounting Option



When steel hook is ordered, it is supplied factory installed in lieu of threaded 3/4" twist-on housing. Cord exits side of ballast housing.

Note: For field installed hook, cord, plug, see accessories.

Steel Hook as referred to in Mounting Code



Steel hook for use with steel 1-in. diameter eye bolt. Not for use with LOOPM or LOOPF

Note: To order as an accessory use catalog number - **HOOKS**.

Note: For gymnasium applications see Accessories: Page 107 for Optical Retention Clip - **CHB-GC** Page 108 for Wireguard - **H2000-NE**

