



UME UNIMOUNT™ 400 LUMINAIRE

NUVATION™ Electronic Ballast

Low Bay, Enclosed – Surface Mount Optical Series

APPLICATIONS

- For 10-25 ft. (3-8 meter) applications in factories, foundries, canneries, textile, metal, chemical, rubber, food, cement and other industrial applications

SPECIFICATION FEATURES:

- 1598 Listed
- **Suitable for Damp Location**
- 1598 Listed for metal halide lamps in polymeric lamp containment barriers
- UV stabilized injection molded prismatic refractor for low brightness
- Enclosed and gasketed optics
- 55° C ambient, standard
- Nuvation™ electronic ballast:
 - Dimming Option – dims lamp to 50% of rated lamp wattage.
 - Two piece heavy-duty die cast aluminum housing
 - Integral optical mounting design for GELS “Surface Mount Opticals”
- Attractive round ballast housing design with white polyester paint finish
- Integral air gap between optical mounting and ballast for optimum temperature control and thermal management
- Slide-on mounting box adaptor with 3/4-in pendant and thru feed capability for ease of installation and mounting.
- External wattage selection port for selection of 250, 320, 350 & 400 watt choices.
- Safety chain provisions
- Mogul base socket – E39 standard
- Shipped as components: Ballast, Optical. Magnapack available for ballast.

ORDERING NUMBER LOGIC

UME	W	40	N	G	E	EA	AG	11	X
PRODUCT IDENT	COLOR	WATTAGE	LIGHT SOURCE	VOLTAGE	BALLAST TYPE	OPTICAL CODE	PHOTOMETRY CODE	MOUNTING CODE	OPTIONS
XXX	X	XX	X	X	X	XX	XX	XX	X
UME = Unimount 400 Luminaire Surface Mount optical with Nuvation Electronic Ballast	W = White Polyester Powder	25 = 250 32 = 320 35 = 350 40 = 400	N = Ballast will operate Pulse Start or Ceramic Metal Halide Lamps. Note: Lamp is vertical base up. Lamp is not included.	G = 208-277 Discrete Voltages must be specified when ordering cord & plug assemblies: 2 = 208 3 = 240 4 = 277	E = Electronic C = Dimming	EA = Enclosed Acrylic Refractor WA = Enclosed Acrylic Refractor with inside of Reflector Painted White	XX = Select Code Below	11 = Pendant Slide on Box 15 = Prewire with Loop, Cord and Plug part “Power Hook”. (Order Receptacle/ Hook Box separately)	Q = Automatic switched quartz S = Exclusionary mogul base socket for MH open fixtures W = Wet Location (Available for use with Mountings 11 and 15 only)

PHOTOMETRIC SELECTION TABLE

EA OPTICAL - Enclosed Optical

Wattage	Light Source	Spacing Criteria	Socket Position	Photometric Curve	Optical Code	Photometry Code
250	MH	1.7	G	177155	EA, ES	AG
400	MH	1.9	A	177013	EA, ES	AA
400	MH(Coated)	1.6	A	177014	EA, ES	AA
250	P (MH)	1.7	G	177155	EA, ES	AG
320(ED28)*	P (MH)	1.7	G	177155	EA, ES	AG
320, 350	P (MH)	1.9	A	177013	EA, ES	AA
400	P (MH)	1.9	A	177013	EA, ES	AA
400	P (MH)(Coated)	1.6	A	177014	EA, ES	AA
400	HPS	1.9	F	177011	EA, ES	AF

WA OPTICAL - Enclosed Optical with White Inside Reflector

Wattage	Light Source	Spacing Criteria	Socket Position	Photometric Curve	Optical Code	Photometry Code
250	MH	2.0	H	178672	WA, WS	AH
400	MH	2.0	A	178674	WA, WS	AA
400	MH (Coated)	1.4	A	451384	WA, WS	AA
250	P (MH)	2.0	H	178672	WA, WS	AH
320(ED28)*	P (MH)	2.0	H	178672	WA, WS	AH
320, 350	P (MH)	2.0	A	178674	WA, WS	AA
400	P (MH)	2.0	A	178674	WA, WS	AA
400	P (MH)(Coated)	1.4	A	451384	WA, WS	AA

*320 watt, ED28 pulse start MH

Note: See page T-34 of Product Selection Guide, GEA-12000, for Alternative lens material explanation

MODULAR PREWIRE

- 41 = ACS with 3 ft (0.9 meter) cord & Hook
- 69 = ACS with 6 ft (1.8 meter) cord & Hook
- 43 = ACS with 3 ft (0.9 meter) cord & Loop
- 70 = ACS with 6 ft (1.8 meter) cord & Loop

PLUG-N-GO

- 51 = Plug-N-Go with 3 ft. (0.9 meter) Cord & Hook
 - 71 = Plug-N-Go with 6 ft. (1.8 meter) Cord & Hook
 - 53 = Plug-N-Go with 3 ft. (0.9 meter) Cord & Loop
 - 72 = Plug-N-Go with 6 ft. (1.8 meter) Cord & Loop
- Note: ACS = Flex 3+
Plug-N-Go = FSC Series

All Electronic devices are susceptible to transient voltage spikes. For facilities where the lighting circuits are not protected from transient voltage spikes a (TVSS) Transient Voltage Surge Suppression system is recommended. To protect the NuVation ballast a TVS protection system must be able to suppress a 3000V ring wave as described in ANSI/IEEE C62.41 B1.

INDOOR LIGHTING

UME UNIMOUNT™ 400 LUMINAIRE
NUVATION™ Electronic Ballast
 Low Bay, Enclosed – Surface Mount Optical Series

NOTES

See explanation on “Optical Flexibility” Page I-4. See References.

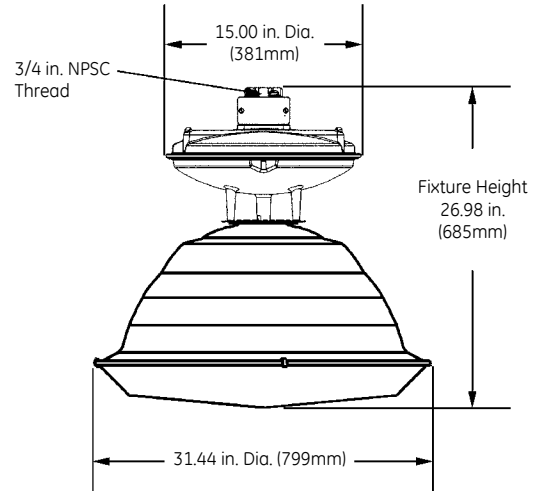
REFERENCES

See Page I-104 for start of Accessories.

See Page I-117 for Component Ordering Logic.

See Page I-129 for Explanation of Options and Other Terms Used.

FIXTURE DIMENSIONS



DATA

Approximate Net Weight Ballast and Optical	lbs 27	kgs 12
---	-----------	-----------

BALLAST DATA

- * 13% Improvement in Pulse Start Metal Halide lamp lumen maintenance vs. magnetic.
- * 6% improvement in Ceramic Metal Halide lamp lumen maintenance vs. magnetic.
- * 50% lower ballast losses than typical CWA magnetic HID ballast.
- * Lamp wattage regulation of +/-2% change for +/-10% change in line voltage.
- * Ballast is rated for use with voltage range between 208 and 277 with +/-10% line voltage tolerance, 50/60 Hz, and will automatically sense voltage within specified range.
- * Ballast input current total harmonic distortion (THD) of less than 15% when operated at nominal line voltage.
- * Ballast is thermally protected to shut off when operating temperatures are above unacceptable levels for the ballast safe and reliable operation.
- * Ballast has an end-of-lamp-life detection and shutdown circuit.
- * The ballast shall have a minimum starting temperature of -20 degrees F and maximum operating ambient of 55 degrees C..
- * Ballast is capable of operating pulse start metal halide or ceramic metal halide lamp types.
- * Five-Year Fixture Failure Warranty.
- * Meets requirements of FCC rules and regulations, Title 47 CFR part 18 for nonconsumer equipment.

Dimming Ballast

- * The ballast is supplied with a violet (+) and gray (-) wire for dimming control connections.
- * Ballast dims to fifty percent of rated lamp wattage.
- * Dimming voltage is 0-10V where 10V is high wattage and 0 is fifty percent of rated lamp wattage.
- * Ballast operates the lamp at high wattage for 15 minutes at start up.
- * Ballast operates lamp at high wattage for fifteen minutes after operating in dim mode for twenty-four hours.

INPUT WATTAGE TABLE

Lamp Wattage	Line Voltage	Input Watts
400	277	428
400	240	432
400	208	435
350	277	377
350	240	380
350	208	383
320	277	346
320	240	347
320	208	349
250	277	276
250	240	272
250	208	271

© Registered Trademark of General Electric Company
 ™ Trademark of General Electric Company
 Data subject to change without notice