



VBE VERSABEAM™ 400 LUMINAIRE NUVATION™ Electronic Ballast

High Bay or Low Bay, Enclosed – Surface Mount Optical Series

APPLICATIONS

- For 15 to 35 ft. (5 to 11 meter) applications requiring high efficiency and the need for low glare with HID lighting.
- Especially useful in difficult assembly and machine situations
- Can be used in place of either high bay or low bay conventional luminaires
- Very effective in sites that have obstructions

SPECIFICATION FEATURES:

- 1598 Listed
Suitable for Damp Location
- 1598 Listed for metal halide lamps in polymeric lamp containment barriers
- Enclosed and Gasketed optics
- 55° C ambient, standard
- UV stabilized injection molded prismatic refractor for low brightness
- Refractor with combination of reflecting and refracting prisms for high efficiency and good brightness control.
- Nuvation™ electronic ballast:
 - Dimming Option – dims lamp to 50% of rated lamp wattage.
 - Two piece heavy-duty die cast aluminum housing
- Integral optical mounting design for GELS “Surface Mount Opticals”
- Attractive round ballast housing design with white polyester paint finish
- Integral air gap between optical mounting and ballast for optimum temperature control and thermal management
- Slide-on mounting box adaptor with 3/4-in pendant and thru feed capability for ease of installation and mounting.
- External wattage selection port for selection of 250, 320, 350 & 400 watt choices.
- Safety chain provisions
- Mogul base socket – E39 standard
- Shipped as components: Ballast, Optical. Magnapack available for ballast.

INDOOR LIGHTING

ORDERING NUMBER LOGIC

VBE	W	40	N	G	E	EA	AA	11	X
PRODUCT IDENT	COLOR	WATTAGE	LIGHT SOURCE	VOLTAGE	BALLAST TYPE	OPTICAL CODE	PHOTOMETRY CODE	MOUNTING CODE	OPTIONS
XXX	X	XX	X	X	X	XX	XX	XX	X
VBE = Versabeam Luminaire Surface Mount optical with Nuvation Electronic Ballast	W = White Polyester Powder	25 = 250 32 = 320 35 = 350 40 = 400	N = Ballast will operate Pulse Start or Ceramic Metal Halide Lamps Note: Lamp is vertical base up. Lamp is not included.	G = 208-277 Discrete Voltages must be specified when ordering cord & plug assemblies: 2 = 208 3 = 240 4 = 277	E= Electronic C= Dimming	EA = Enclosed Acrylic Refractor	XX = Select Code Below	11= Pendant Slide on Box 15 = Prewire with Loop, Cord and Plug part “Power Hook”. (Order Receptacle/Hook Box separately)	Q = Automatic switched quartz S = Exclusionary mogul base socket for MH open fixtures

PHOTOMETRIC SELECTION TABLE

EA OPTICAL - Enclosed Acrylic

Wattage	Light Source	Photometric Curve	Optical Code	Photometry Code
250	MH	178508	EA	AV
400	MH	178437	EA	AA
250	P(MH)	178508	EA	AV
320* ED28	P(MH)	178508	EA	AV
320, 350	P(MH)	178437	EA	AA
400	P(MH)	178437	EA	AA

*320 watt, ED28 pulse start MH
NOTE: Socket position is fixed and not field adjustable.

PLUG-N-GO

51 = Plug-N-Go with 3 ft. (0.9 meter) Cord & Hook
71 = Plug-N-Go with 6 ft. (1.8meter) Cord & Hook
53 = Plug-N-Go with 3 ft. (0.9 meter) Cord & Loop
72 = Plug-N-Go with 6 ft. (1.8 meter) Cord & Loop
Note: ACS = Flex 3+
Plug-N-Go = FSC Series

All Electronic devices are susceptible to transient voltage spikes. For facilities where the lighting circuits are not protected from transient voltage spikes a (TVSS) Transient Voltage Surge Suppression system is recommended. To protect the NuVation ballast a TVS protection system must be able to suppress a 3000V ring wave as described in ANSI/IEEE C62.41 B1.

VBE VERSABEAM™ 400 LUMINAIRE

NUVATION™ Electronic Ballast

High Bay or Low Bay, Enclosed – Surface Mount Optical Series

NOTES

See explanation on “Optical Flexibility” Page I-4. See References.

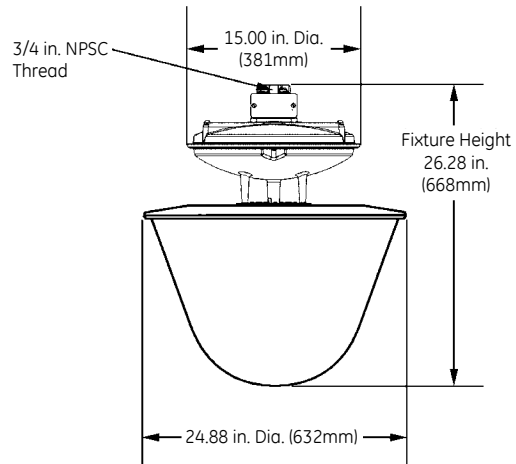
REFERENCES

See Page I-104 for start of Accessories.

See Page I-117 for Component Ordering Logic.

See Page I-129 for Explanation of Options and Other Terms Used.

FIXTURE DIMENSIONS



DATA

Approximate Net Weight Ballast and Optical	lbs	kgs
	26-29	12-13

BALLAST DATA

- * 13% Improvement in Pulse Start Metal Halide lamp lumen maintenance vs. magnetic.
- * 6% improvement in Ceramic Metal Halide lamp lumen maintenance vs. magnetic.
- * 50% lower ballast losses than typical CWA magnetic HID ballast.
- * Lamp wattage regulation of +/-2% change for +/-10% change in line voltage.
- * Ballast is rated for use with voltage range between 208 and 277 with +/-10% line voltage tolerance, 50/60 Hz, and will automatically sense voltage within specified range.
- * Ballast input current total harmonic distortion (THD) of less than 15% when operated at nominal line voltage.
- * Ballast is thermally protected to shut off when operating temperatures are above unacceptable levels for the ballast safe and reliable operation.
- * Ballast has an end-of-lamp-life detection and shutdown circuit.
- * The ballast shall have a minimum starting temperature of -20 degrees F and maximum operating ambient of 55 degrees C..
- * Ballast is capable of operating pulse start metal halide or ceramic metal halide lamp types.
- * Five-Year Fixture Failure Warranty.
- * Meets requirements of FCC rules and regulations, Title 47 CFR part 18 for nonconsumer equipment.

Dimming Ballast

- * The ballast is supplied with a violet (+) and gray (-) wire for dimming control connections.
- * Ballast dims to fifty percent of rated lamp wattage.
- * Dimming voltage is 0-10V where 10V is high wattage and 0 is fifty percent of rated lamp wattage.
- * Ballast operates the lamp at high wattage for 15 minutes at start up.
- * Ballast operates lamp at high wattage for fifteen minutes after operating in dim mode for twenty-four hours.

INPUT WATTAGE TABLE

Lamp Wattage	Line Voltage	Input Watts
400	277	428
400	240	432
400	208	435
350	277	377
350	240	380
350	208	383
320	277	346
320	240	347
320	208	349
250	277	276
250	240	272
250	208	271

