



FGE FILTERGLOW™ 400 LUMINAIRE

NUVATION™ Electronic Ballast

High Bay, Enclosed – Optical Sliding Disconnect Series

APPLICATIONS

- For over 20 ft. (6 meter) applications in factories, foundries, machine shops, and other industrial environments.

SPECIFICATION FEATURES:

- 1598 Listed
- Suitable for Damp Location
- Enclosed and gasketed optics
- Clear tempered door-glass lens
- Charcoal filtered optics
- Optical secondary electro-mechanical Sliding Disconnect
- 55° C ambient, standard
- ALGLAS® finish on faceted reflector
- Nuvation™ electronic ballast:
 - Two piece heavy-duty die cast aluminum housing
 - Dimming Option — dims lamp to 50% of rated lamp wattage.
- Integral optical mounting design for GELS “Sliding Disconnect”
- Attractive round ballast housing design with white polyester paint finish
- Integral air gap between optical mounting and ballast for optimum temperature control and thermal management
- Slide-on mounting box adaptor with 3/4-in pendant and thru feed capability for ease of installation and mounting.
- External wattage selection port for selection of 250, 320, 350 & 400 watt choices.
- Safety chain provisions
- Mogul base socket – E39 standard

INDOOR LIGHTING

ORDERING NUMBER LOGIC

FGE	W	40	N	G	E	E7	EX	11	X
PRODUCT IDENT	COLOR	WATTAGE	LIGHT SOURCE	VOLTAGE	BALLAST TYPE	OPTICAL CODE	PHOTOMETRY CODE	MOUNTING CODE	OPTIONS
XXX	X	XX	X	X	X	XX	XX	XX	
FGE = Filterglow 400 Disconnect optical with Nuvation electronic ballast	W = White Polyester Powder	25 = 250 32 = 320 35 = 350 40 = 400	N = Ballast will operate Pulse Start or Ceramic Metal Halide Lamps (See pg. I-125) Note: Lamp is vertical base up. Lamp is not included.	G = 208-277 Discrete Voltages must be specified when ordering cord & plug assemblies: 2 = 208 3 = 240 4 = 277	E = Electronic C = Dimming	E7 = Enclosed 17-in. Reflector E2 = Enclosed 22-in. Reflector	XX = Select Code Below	11 = Pendant Slide on Box 15 = Prewire with Loop, Cord and Plug part "Power Hook". (Order Receptacle/Hook Box separately) Discrete Voltages must be specified when ordering cord & plug assemblies below: 31 = Prewired with Hook, 3 ft. (0.9 meters) #16/3 Cord and NEMA PLUG 33 = Prewired with Loop, 3 ft. (0.9 meters) #16/3 Cord and NEMA PLUG (Order Locking Receptacle Separately, if required) MODULAR PREWIRE 41 = ACS with 3 ft (0.9 meter) cord & Hook 69 = ACS with 6 ft (1.8 meter) cord & Hook 43 = ACS with 3 ft (0.9 meter) cord & Loop 70 = ACS with 6 ft (1.8 meter) cord & Loop PLUG-N-GO 51 = Plug-N-Go with 3 ft. (0.9 meter) Cord & Hook 71 = Plug-N-Go with 6 ft. (1.8meter) Cord & Hook 53 = Plug-N-Go with 3 ft. (0.9 meter) Cord & Loop 72 = Plug-N-Go with 6 ft. (1.8 meter) Cord & Loop Note: ACS = Flex 3+ Plug-N-Go = FSC Series	Q = Automatic switched quartz W = Wet Location (Available for use with Mountings 11 and 15 only)

PHOTOMETRIC SELECTION TABLE

E7 OPTICAL - Enclosed 17 in. Reflector						
Wattage	Light Source	Spacing Criteria	Socket Position	Photometric Curve	Optical Code	Photometry Code
250, 320*	MH, P	1.3	1	176084	E7	EM
320, 350, 400	MH,P	1.1	11	174961	E7	EX
320, 350, 400	MH,P	1.3	9	174962	E7	EU
320, 350, 400	MH,P	1.6	5	177096	E7	EQ
320, 350, 400	MH,P (Coated)	1.0	11	174955	E7	EX
320, 350, 400	MH,P (Coated)	1.5	7	174957	E7	ES
320, 350, 400	MH,P (Coated)	1.9	3	174958	E7	EO

V2 OPTICAL - Open & Ventilated 22 in. Reflector						
Wattage	Light Source	Spacing Criteria	Socket Position	Photometric Curve	Optical Code	Photometry Code
350, 400	MH,P	0.7	7	174959	E2	ES
350, 400	MH,P (Coated)	0.7	11	174953	E2	EX

*320 watt, ED28 pulse start MH

Exclusionary base socket is available for use with Metal Halide lamps in open fixtures to comply with NEC 2005 regulations (GELS "S" Option). Customer should consult or review local electrical codes for compliance.

All Electronic devices are susceptible to transient voltage spikes. For facilities where the lighting circuits are not protected from transient voltage spikes a (TVSS) Transient Voltage Surge Suppression system is recommended. To protect the NuVation ballast a TVS protection system must be able to suppress a 3000V ring wave as described in ANSI/IEEE C62.41 B1.

FGE FILTERGLOW™ 400 LUMINAIRE

NUVATION™ Electronic Ballast

High Bay, Enclosed – Optical Sliding Disconnect Series

DIMENSIONS

When optical assembly contains a quartz socket an additional 1.125 inches (29mm) must be added to the overall height due to double stack disconnect.

NOTES

See explanation on “Optical Flexibility” Page I-4. See References.

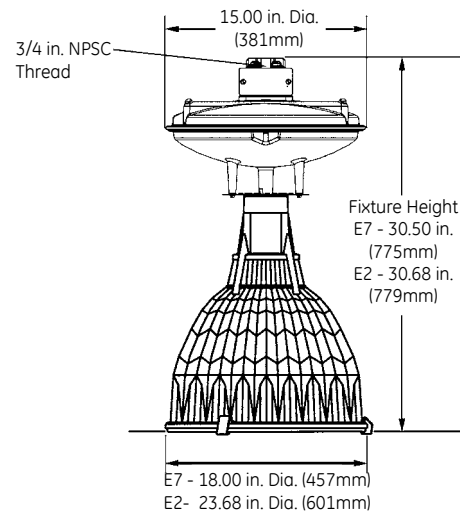
REFERENCES

See Page I-104 for start of Accessories.

See Page I-117 for Component Ordering Logic.

See Page I-129 for Explanation of Options and Other Terms Used.

FIXTURE DIMENSIONS



DATA

Approximate Net Weight Ballast and Optical	lbs	kgs
	21-36	10-16

BALLAST DATA

- * 13% Improvement in Pulse Start Metal Halide lamp lumen maintenance vs. magnetic.
- * 6% improvement in Ceramic Metal Halide lamp lumen maintenance vs. magnetic.
- * 50% lower ballast losses than typical CWA magnetic HID ballast.
- * Lamp wattage regulation of +/-2% change for +/-10% change in line voltage.
- * Ballast is rated for use with voltage range between 208 and 277 with +/-10% line voltage tolerance, 50/60 Hz, and will automatically sense voltage within specified range.
- * Ballast input current total harmonic distortion (THD) of less than 15% when operated at nominal line voltage.
- * Ballast is thermally protected to shut off when operating temperatures are above unacceptable levels for the ballast safe and reliable operation.
- * Ballast has an end-of-lamp-life detection and shutdown circuit.
- * The ballast shall have a minimum starting temperature of -20 degrees F and maximum operating ambient of 55 degrees C..
- * Ballast is capable of operating pulse start metal halide or ceramic metal halide lamp types.
- * Five-Year Fixture Failure Warranty.
- * Meets requirements of FCC rules and regulations, Title 47 CFR part 18 for nonconsumer equipment.

Dimming Ballast

- * The ballast is supplied with a violet (+) and gray (-) wire for dimming control connections.
- * Ballast dims to fifty percent of rated lamp wattage.
- * Dimming voltage is 0-10V where 10V is high wattage and 0 is fifty percent of rated lamp wattage.
- * Ballast operates the lamp at high wattage for 15 minutes at start up.
- * Ballast operates lamp at high wattage for fifteen minutes after operating in dim mode for twenty-four hours.

INPUT WATTAGE TABLE

Lamp Wattage	Line Voltage	Input Watts
400	277	428
400	240	432
400	208	435
350	277	377
350	240	380
350	208	383
320	277	346
320	240	347
320	208	349
250	277	276
250	240	272
250	208	271

© Registered Trademark of General Electric Company
 ™ Trademark of General Electric Company
 Data subject to change without notice